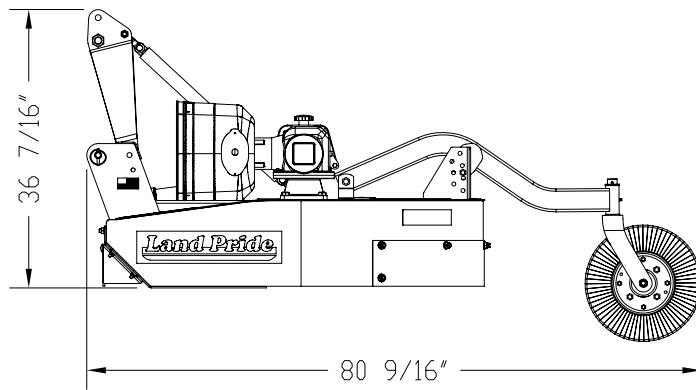
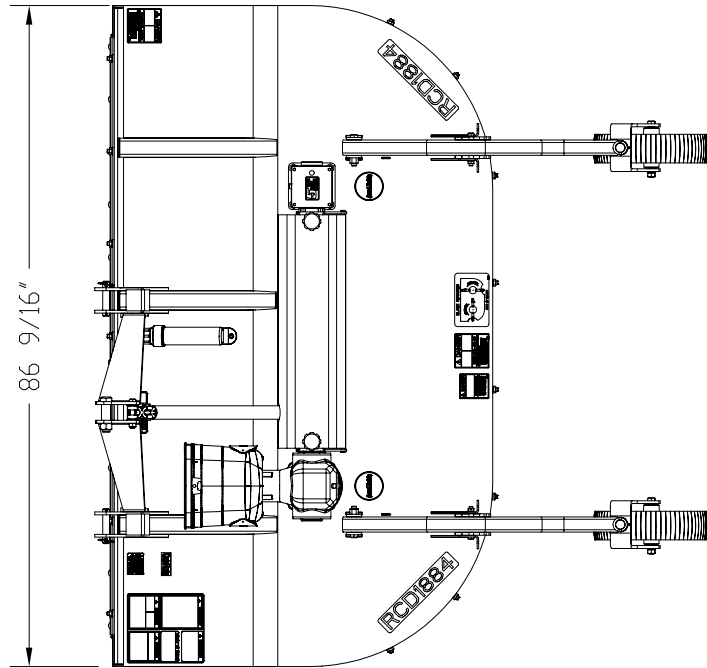


RCD1884 Model

Specifications & Capacities	
Machine Weight with Dual Laminated Tailwheels Dual Solid Tailwheels	900 lbs. 905 lbs.
Hitch	Category I with clevis type lower links and floating top linkage Quick Hitch adaptable
Cutting Width	84"
Overall Width	86 9/16"
Overall Length	80 9/16"
Offset Distance to the Right	10"
Deck Height at Rear	11 5/8"
Cutting Height	2" - 12"
Cutting Capacity	1 1/2" Diameter
Recommended Tractor Power Take-Off Horsepower	35-60 horsepower
Power Take-Off Speed	540 rpm
Gearbox	60 Hp main gearbox & 45 horsepower side gearbox With speed-up beveled gears, cast iron housing, and 1.67" output shaft
Gearbox Lubricant	EP 80-90W oil
Gearbox oil Capacity	Main Gearbox 4.7 pints Side Gearbox 3.5 pints
Deck Construction	All welded deck
Deck Material Thickness	10 Gauge
Side Skirt Material Thickness	10 Gauge
Skid Shoe Construction	3/16" Weld-on with mounting holes for adding optional bolt-on replaceable shoes
Stump Jumper	10 Gauge x 24" Round dish pan with 1" x 4" x 19 1/2" blade bar
Blades (4)	1/2" x 4" x 16" Heat treated alloy steel free-swinging suction blades
Blade Overlap	5"
Blade Bolts	Keyed with harden flat washers & locknuts.
Blade Tip Speed	11,693 fpm
Main Driveline	ASAE Category 3
Main Driveline Protection	2 plate slip clutch
Tailwheel Mount	Caster fork with 360 degree swivel
Tailwheel	Optional two 15" laminated tire or two 4" x 16" molded rubber tire.
Front Guard	Optional 4" x 6" molded rubber or single chain guard
Rear Guard	Standard metal band or optional metal extended guard



30973