

SH35 Series Skid Steer Quick Hitch

Features	Benefits
Fits Cat. 1 or 2 implements	Easily fits all Land Pride Cat. 1 or 2 non-PTO 3-point implements.
Automatic lock on lower 3-point arms	Don't have to get off of skid steer loader when hooking up to an implement.
Adjustable top hook	Helps match up to implement.
Class II receiver and storage for ball hitch	A class II ball hitch can be inserted into the hitch for towing, also can be used for storing a ball hitch.
Universal skid steer plate	Fits most skid steer loaders.

Ball Hitch Receiver and Storage Rack

The Quick Hitch is equipped so that a ball hitch can be assembled to the hitch. The Quick Hitch can then be used to pull an implement with a ball hitch. The ball hitch may be stored on top of the Quick Hitch when it is not in use.

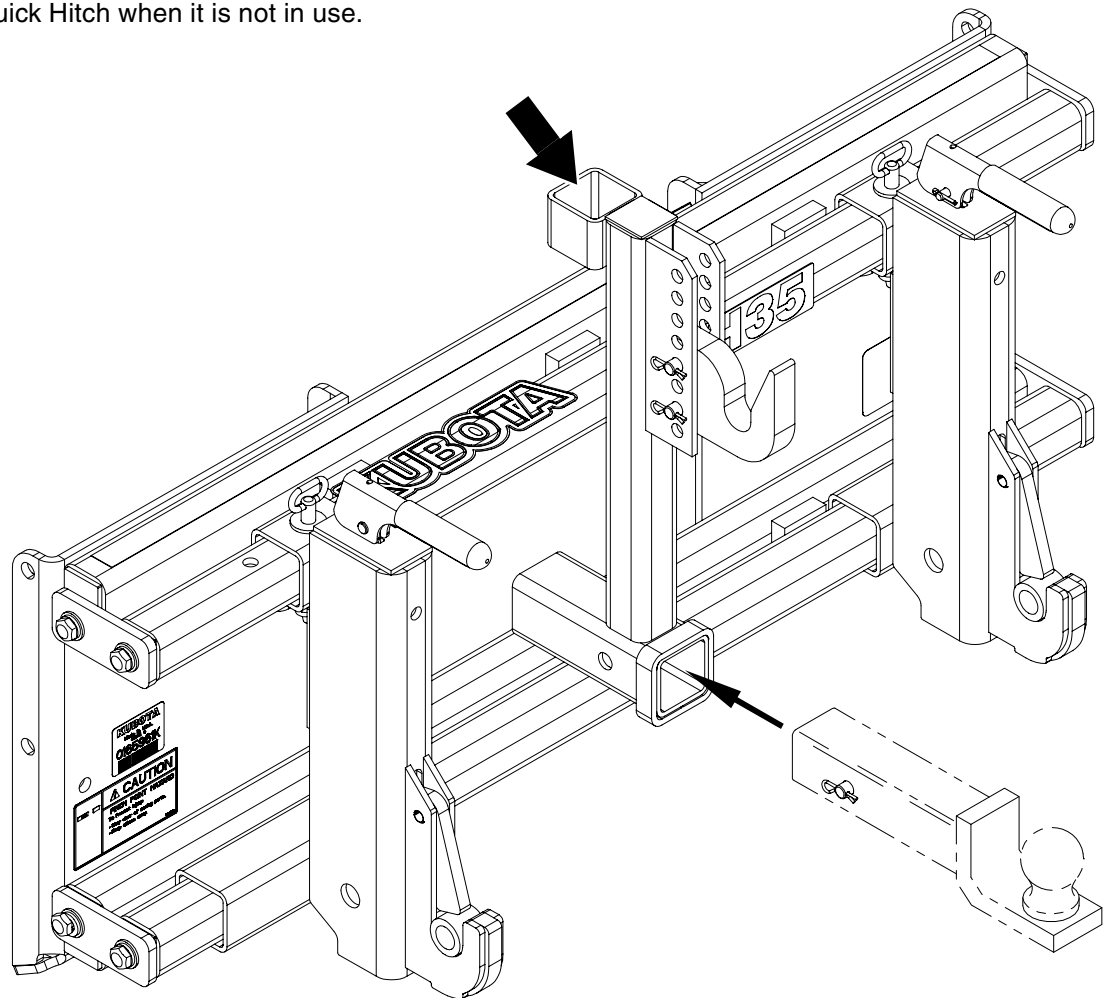


Figure 4-1

18445