

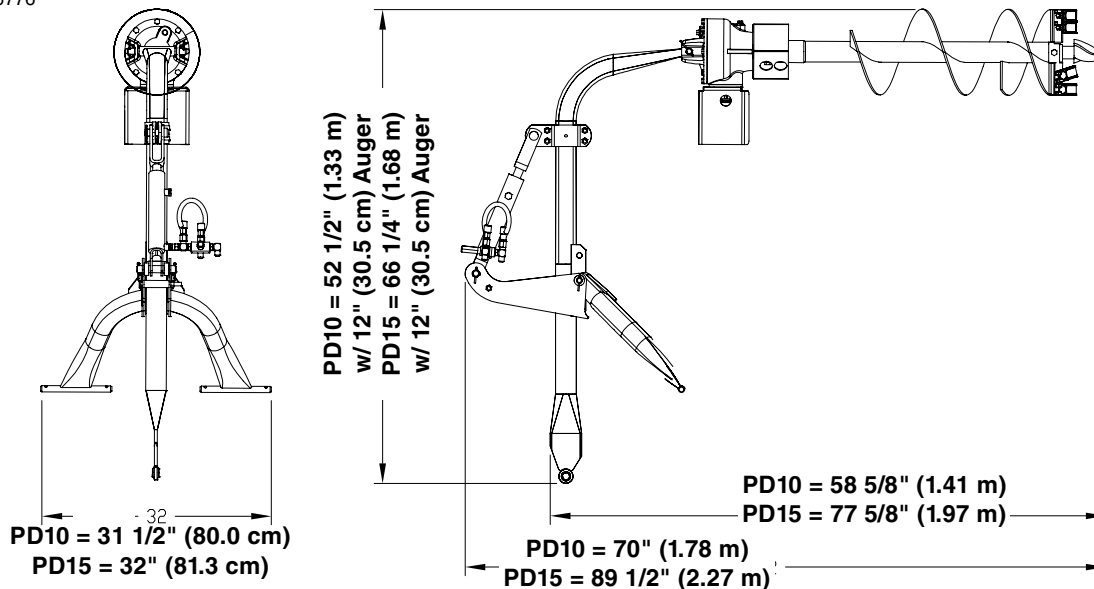


PD10 & PD15 Models

Specifications & Capacities

	PD10	PD15
Tractor horsepower range	15 to 30 horsepower (11.2 to 22.4 kw)	20 to 40 horsepower (14.9 to 29.8 kw)
Weight without auger	120 lbs (54.4 kg)	161 lbs (73.0 kg)
Gearbox	1 3/8" (3.5 cm) 6B spline input shaft, 3:1 Ratio	1 3/8" (3.5 cm) 6B spline input shaft, 3.18:1 Ratio
Gearbox oil capacity and type	3.4 Pints (1.61 L) of SAE80-90W EP oil	4.6 (2.18 L) Pints of SAE80-90W EP oil
Gearbox output shaft	2" (5.1 cm) O.D. Round	
Boom	2 7/8" (7.3 cm) O.D.	
Yoke	2 7/8" (7.3 cm) O.D.	
3-Point hitch cat.	Cat. I	
Driveline type	Cat. II Shear bolt	
Maximum power take-off Speed	300 rpm	
Options		
Dirt auger lengths	30" (76.2 cm)	48" (1.22 m)
Dirt auger diameters	6", 9", or 12" (15, 23, or 31 cm)	6", 9", & 12" (15, 23, & 31 cm)
Tree auger	Not Available	Not Available
Rock auger lengths	Not Available	45" (114 cm)
Rock auger diameters	Not Available	6", 9", 12", 15", & 18" (15, 23, 31, 38, & 46 cm)
Auger flight thickness	1/4" (6 mm)	
Auger pipe	2 1/2" (6.4 cm) ID	
Auger teeth	Individually replaceable (Pengo teeth only: 40° angle on flat side or 50° angle on sloped side)	
Number of dirt auger teeth	6" - 2 teeth, 9" - 2 or 4 teeth, and 12" - 4 teeth	
Dirt auger pilot	Cast steel with two or three drill points	
Cat. III torque limiter driveline	Not Available	Not Available
Accessories		
Alignment handle	Available	Available
Hydraulic down pressure kit	Available	Available
Storage stands	Available	Available
Auger extensions	Available in 7" & 14" (17.8 cm & 35.6 cm) lengths	
Auger adapters	Available 2" Round hub to 2" Hex shaft	
Bolt-on rock head diameters	Not Available	6", 9", 12", 15", & 18" (15, 23, 31, 38, & 46 cm)

26776



Section 6: Specifications & Capacities

PD25 & PD35 Models

Specifications & Capacities		
	PD25	PD35
Tractor horsepower range	25 to 55 horsepower (18.6 to 41.0 kw)	30 to 75 horsepower (22.4 to 55.9 kw)
Weight without auger	186 lbs (84.4 kg)	233 lbs (105.7 kg)
Gearbox	1 3/8" (3.5 cm) 6B spline input shaft 3.18:1 Ratio	1 3/8" (3.5 cm) 6B spline input shaft 4:1 Ratio
Gearbox oil capacity and type	4.6 Pints (2.18 L) of SAE80-90W EP oil	9.1 Pints (4.31 L) of SAE80-90W EP oil
Gearbox output shaft	2" (5.1 cm) O.D. Round	2" (5.1 cm) O.D. Round
Boom	3 1/2" (8.9 cm) O.D.	3 1/2" (8.9 cm) O.D.
Yoke	2 7/8" (7.3 cm) O.D.	
3-Point hitch Cat.	Cat. I & II	
Driveline type.	Standard	Cat. III shear bolt
	Optional	Cat. III radial pin clutch (Recommended on auger sizes 15" (38.1 cm) and above.)
Maximum power take-off Speed	300 rpm	
Options		
Dirt and tree auger lengths	48" (1.22 m)	
Dirt auger diameters	6", 9", 12", 15", or 18" (15.2 cm, 22.9 cm, 30.5 cm, 38.1 cm, & 45.7 cm)	
Tree auger	24" (61.0 cm)	
Rock auger lengths	45" (114 cm)	
Rock auger diameters	6", 9", 12", 15", or 18" (15.2 cm, 22.9 cm, 30.5 cm, 38.1 cm, & 45.7 cm)	
Auger flight thickness	1/4" (6 mm)	
Auger pipe	2 1/2" (6.4 cm) ID	
Auger teeth	Individually replaceable (Pengo teeth only: 40° angle on flat side or 50° angle on sloped side)	
Number of dirt auger teeth	6" - 2 teeth, 9" - 2 or 4 teeth, 12" - 4 teeth, 15" - 5 teeth, 18" - 6 teeth, & 24" - 8 teeth	
Dirt auger pilot	Cast steel with two or three drill points	
Cat. III torque limiter driveline	Available	Available
Accessories		
Alignment handle	Available	Available
Hydraulic down pressure kit	Available	Available
Storage stands	Available	Available
Auger extensions	Available in 7" & 14" (17.8 cm & 35.6 cm) lengths	
Auger adapters	Available 2" Round hub to 2" Hex shaft (5.1 cm to 5.1 cm)	
Bolt-on rock head diameters	Available in 6", 9", 12", 15", or 18" (15.2 cm, 22.9 cm, 30.5 cm, 38.1 cm, & 45.7 cm)	

26776

