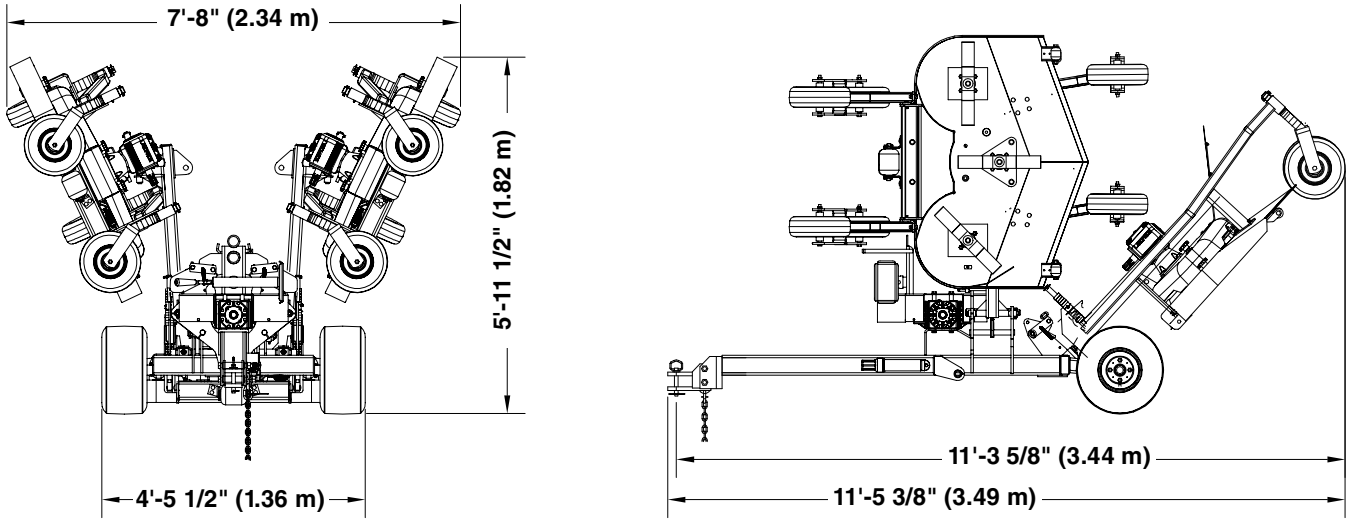




## AFM4211 All-Flex Grooming Mowers

Specifications & Capacities	
<b>Discharge Type</b>	Rear
<b>Cutting Width</b>	11' - 1" (3.38 m)
<b>Overall Width</b>	11' - 3 1/2" (3.44 )
<b>Transport Height</b>	5' - 11 1/2" (1.82 m)
<b>Transport Width</b>	7'-8" (2.34m) At Mid Cutting Height
<b>Overall Length</b>	13'- 3" (4.04 m)Transport Position
<b>Weight</b>	2,040 lbs. (925.32 kg)
<b>Tractor Horsepower</b>	Minimum 30 horsepower (22kW) and Maximum 65 horsepower (48 kW)
<b>Hitch</b>	Pull Type With Adjustable Clevis and Safety Tow Chain
<b>Tongue Support</b>	2,200 lb. (998 kg) Capacity Screw Jack
<b>Gearbox Support</b>	3/8" (0.95 cm) Steel Channel
<b>Gearboxes</b>	540 rpm (1)-Splitter Gearbox and (3)-Wing Gearboxes
<b>Gearbox Lubrication</b>	Gear Lube 80-90W EP
<b>Gearbox Oil Capacity</b>	3 - Wings: 3.5 pints (1.7 L) SD Splitter: 2.125 pints (1 L) or OMNI Splitter: 2.5 pints (1.2 L)
<b>Main Driveline (1)</b>	Category III Constant Velocity With Slip Clutch
<b>Deck Drivelines (3)</b>	Category II
<b>Cutting Height</b>	1" to 5 1/2" in 1/4" increments (2.54 cm to 14 cm in 0.64 cm increments)
<b>Deck Size and Quantity</b>	3 each at 48" (122 cm)
<b>Deck Overlap</b>	6" (15.2 cm)
<b>Deck Thickness</b>	3/16" (0.48 cm)
<b>Anti-Scalp Roller</b>	Front Center and Rear Outside Deck Corners
<b>Blade Drive Belt</b>	(1) - B-Section
<b>Drive Belt Tensioning</b>	Spring Loaded Idler
<b>Blade Bearings</b>	Sealed Ball Bearings
<b>Blades Size and Type 3 Each Per Deck</b>	1/4" x 2 1/2" x 16 7/8" (0.64 x 6.35 x 42.9 cm) Medium Lift Standard Optional Blades - Low Lift, High Lift & Mulching
<b>Blade Overlap</b>	1 3/16" (3.02 cm)
<b>Blade Spindle Speed</b>	3,628 rpm
<b>Blade Tip Speed</b>	16,020 FPM (4 883 m/min)
<b>Deck Tires</b>	10 Each, Air 13" x 5", Sealant With Tapered Roller Bearings
<b>Deck Wheel Spindles</b>	1 1/4" (3.18 cm) With Nylon Bushings
<b>Transport Tires</b>	2 Each, 18" x 9.5", Sealant With Tapered Roller Bearings
<b>Transport Locks</b>	Automatic Transport Locks With Pull Rope Release
<b>Wing Flex</b>	23 Degrees Left To Right 22 Degrees Front To Back
<b>Center Deck Flex</b>	13 Degrees Front To Back
<b>Hydraulic Outlets</b>	1 Set Required
<b>Deck Cylinders</b>	Dual Acting
<b>Gauge Wheel Arms</b>	1/4" (0.63 cm) Wall Square Tubing
<b>Turning Radius</b>	Zero Turning Radius
<b>Mowing Capacity</b>	@ 2 MPH = 2.68 Acres Per Hour (3 km/h = 1.08 Hectares Per Hour) @ 4 MPH = 5.37 Acres Per Hour (6 km/h = 2.17 Hectares Per Hour) @ 6 MPH = 8.10 Acres Per Hour (10 km/h = 3.28 Hectares Per Hour)
<b>8.10)Signal lights 7 Pin connector</b>	LED SAE J560 pin configuration

26742



26741

