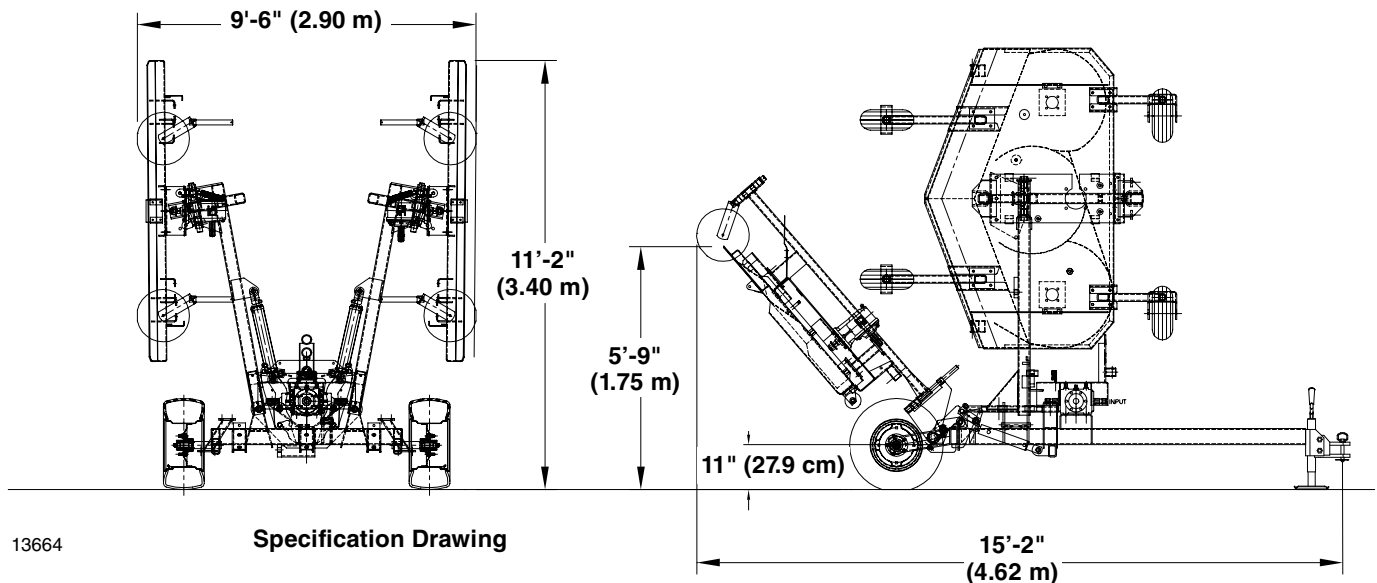
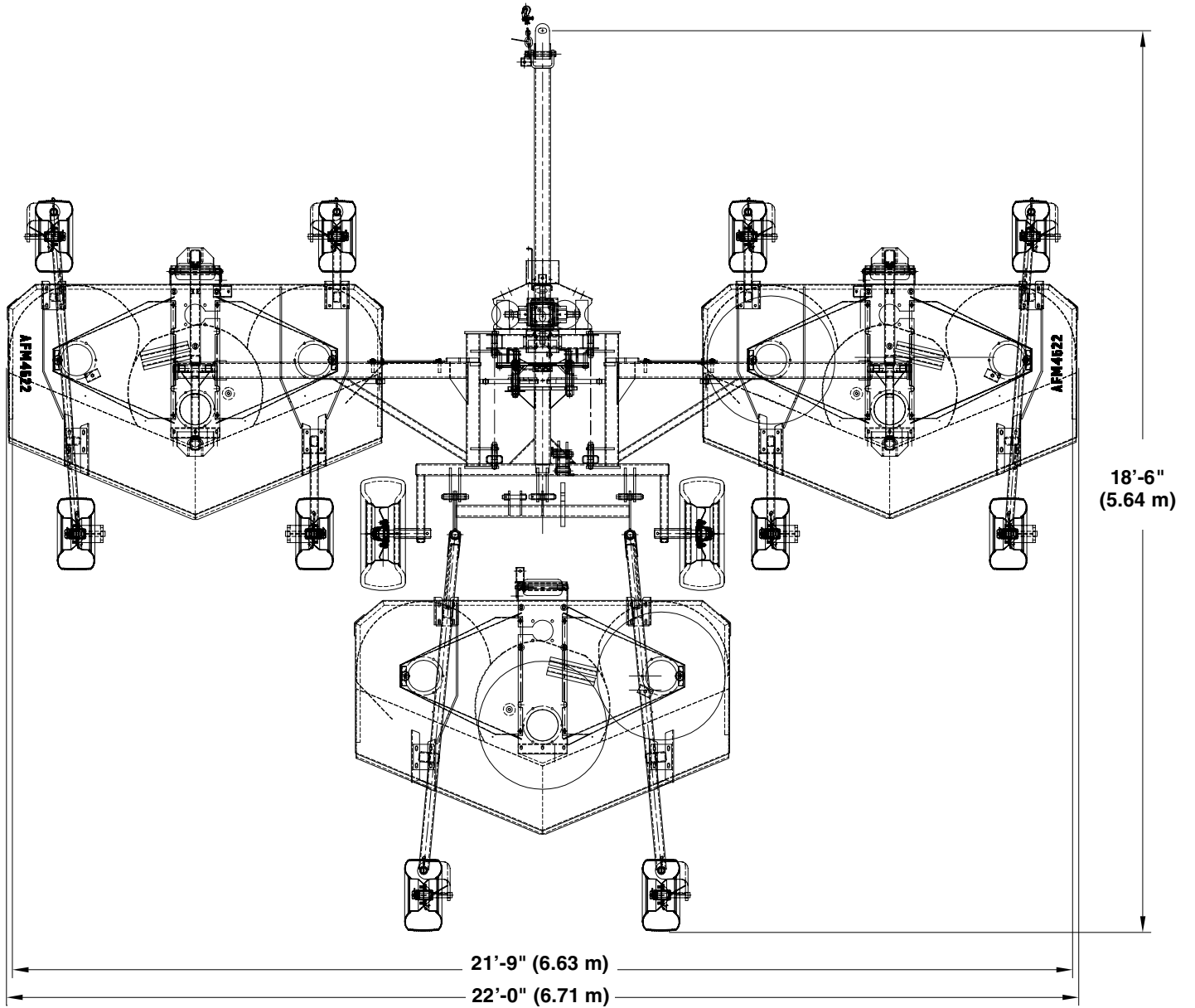




AFM4522 Model

| Specifications & Capacities |                                                                       | Specifications & Capacities                                                    |                                                                                                               |
|-----------------------------|-----------------------------------------------------------------------|--------------------------------------------------------------------------------|---------------------------------------------------------------------------------------------------------------|
| Discharge Type              | Rear                                                                  | Blade Drive Belt                                                               | 1 C-Section                                                                                                   |
| Cutting Width               | 21'-9" (6.63 m)                                                       | Drive Belt Tension                                                             | Spring Loaded Idler with Overcenter Release                                                                   |
| Overall Width               | 22'-0" (6.71 m)                                                       | Blade Bearing                                                                  | Sealed Ball Bearings                                                                                          |
| Transport Height            | 11'-2" (3.40 m)                                                       | Blades<br>3 Each Per Deck                                                      | Low Lift (5/16" x 2 1/2" x 31 17/32")<br>Optional Blades:<br>Medium Lift, High Lift & Mulching                |
| Transport Width             | 9'-6" (2.9 m) With Lock bar Installed                                 | Blade Overlap                                                                  | 2 1/4" (5.7 cm)                                                                                               |
| Overall Length              | 18'-6" (5.64 m) Mowing Position<br>15'-2" (4.62 m) Transport Position | Blade Spindle Speed                                                            | 2,241 R.P.M.                                                                                                  |
| Machine Weight              | 4,150 lbs. (1882.4 kg)                                                | Blade Tip Speed                                                                | 18,498 F.P.M. (94 mps)                                                                                        |
| Tractor Horsepower          | Minimum 65 horsepower (48.5 kW)<br>Maximum 100 horsepower (74.6 kW)   | Deck Tires                                                                     | 18 x 9.5 Air Tire, Sealant                                                                                    |
| Hitch                       | Pull Type with Adjustable Clevis and Safety Tow Chain                 | Deck Wheel Spindles                                                            | 1 1/4" w/Nylon Bushings                                                                                       |
| Tongue Support              | 2,200 lb. (997.9 kg) Capacity Screw Jack                              | Transport Tires                                                                | 2 each, P27560SR                                                                                              |
| Gearbox Support             | 1/4" (6 mm) Steel Channel                                             | Transport Locks                                                                | Automatic with Pull Rope Release                                                                              |
| Gearboxes                   | 540 rpm (1)-Splitter & (3)-Wing                                       | Wing Flex                                                                      | 23 Degrees Left To Right<br>22 Degrees Front To Back                                                          |
| Gearbox Oil Capacity        | Splitter: 2.5 pints (1.18 L)<br>Wings: 3.5 pints (1.66 L)             | Center Deck Flex                                                               | 10 Degrees Left To Right<br>22 Degrees Front To Back                                                          |
| Main Driveline (1)          | Category IV with Constant Velocity                                    | Hydraulic Outlets                                                              | 1 Set Required                                                                                                |
| Deck Drivelines (3)         | Category III with Slip Clutch                                         | Deck Cylinders                                                                 | Dual Acting                                                                                                   |
| Cutting Height              | 3/4" to 5 1/4" (19 mm to 133 mm)<br>In 1/4" (6 mm) increments         | Gauge Wheel Arms                                                               | 1/4" (6 mm) Wall Square Tubing                                                                                |
| Deck Size & Quantity        | 3 each @ 90" (1.52m)                                                  | Turning Radius                                                                 | Zero Turning Radius                                                                                           |
| Deck Overlap                | 4 1/2" (11.4 cm)                                                      | Mowing Capacity<br>@ 2 mph (3.2km/h)<br>@ 4 mph (6.4km/h)<br>@ 6 mph (9.7km/h) | 5.27 Acres (2.1 hectare) Per Hour<br>10.54 Acres (4.3 hectare) Per Hour<br>15.82 Acres (6.4 hectare) Per Hour |
| Deck Thickness              | 3/16" (5 mm)                                                          | Signal lights<br>7 Pin connector                                               | LED<br>SAE J560 pin configuration                                                                             |
| Anti-Scalp Roller           | Front Center of Each Deck                                             |                                                                                |                                                                                                               |





22379

Specification Drawing