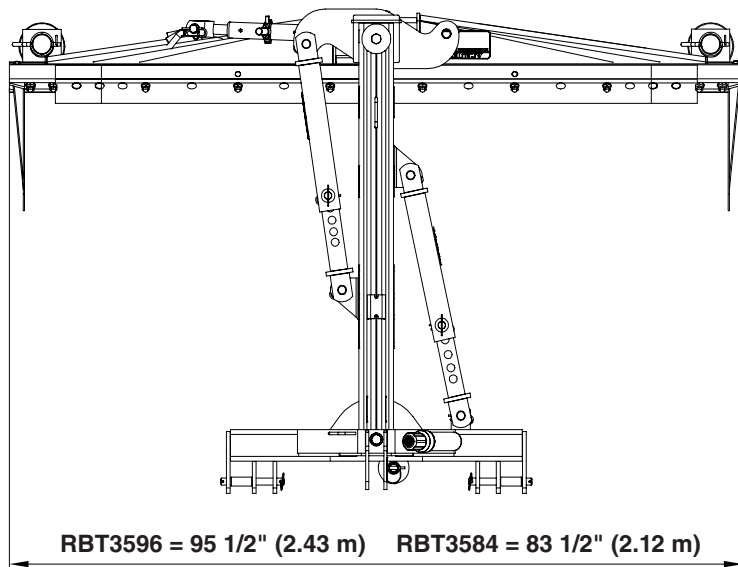
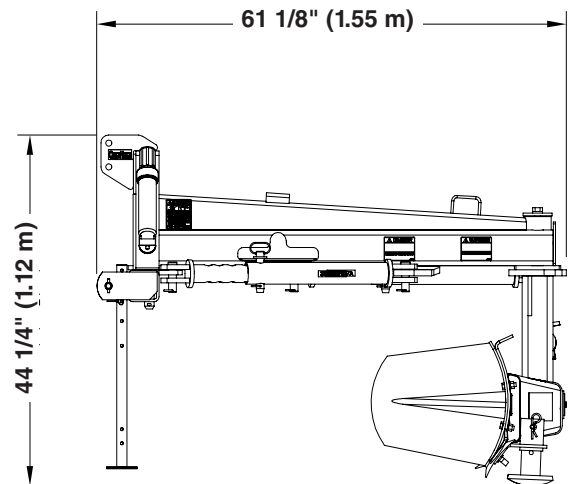


RBT35 Series Rear Blades

	RBT3584	RBT3596
Blade Width	84" (2.13 m)	96" (2.44 m)
Approximate Weight (lbs.) with manual links	709 lbs (321.6 kg)	745 lbs (337.9 kg)
Maximum Tractor Horsepower	80 horsepower (59.7 kw) for 2 wheel drive 65 horsepower (48.5 kw) for 4 wheel drive	
Maximum G.V.W. (lbs.)	9500 lbs (4309.1 kg)	
Hitch Type	Cat. 1 & 2 Fits Land Pride Quick Hitch	
Blade Angle	With blade facing forward or reversed Manual Linkage: Up to 40° in 10° increments clockwise and counterclockwise Hydraulic Cylinder: Up to 50 degrees clockwise and counterclockwise	
Angle Cylinder	3 1/2" bore x 14" stroke x 1 1/4" rod	
Blade Offset	Manual Linkage Up to 30 inches (76.2 cm) left and right in 9 positions (center, 4 left, and 4 right) Hydraulic Cylinder Up to 30 inches (76.2 cm) left and right	
Offset Cylinder	3 1/2" bore x 14" stroke x 1 1/4" rod	
Blade Tilt	Manual Ratchet Jack Maximum 20° up and 20° down with blade facing forward or reversed Hydraulic Cylinder Maximum 20° up and 20° down with blade facing forward or reversed	
Tilt Cylinder	2" bore x 6" stroke x 1 1/4" bore	
Moldboard King Pin	3" (7.6 cm) diameter	
Moldboard Height	17" (43.2 cm) tall	
Moldboard Thickness	5/16" (8 mm) reinforced, 3/16" (5 mm) tapered reinforcement channel	
Cutting Edge	1/2" x 6" (1.3 cm x 15.2 cm) Heat treated, replaceable & reversible (double bevel)	
Mainframe Construction	Fully welded tubular construction	
Parking Stand	Retractable	
Accessories	Manual or hydraulic single gauge wheel Skid Shoes, End Plates, Hydraulic Selector Valve, and Cushion Valve	



Top View



Side View

26808