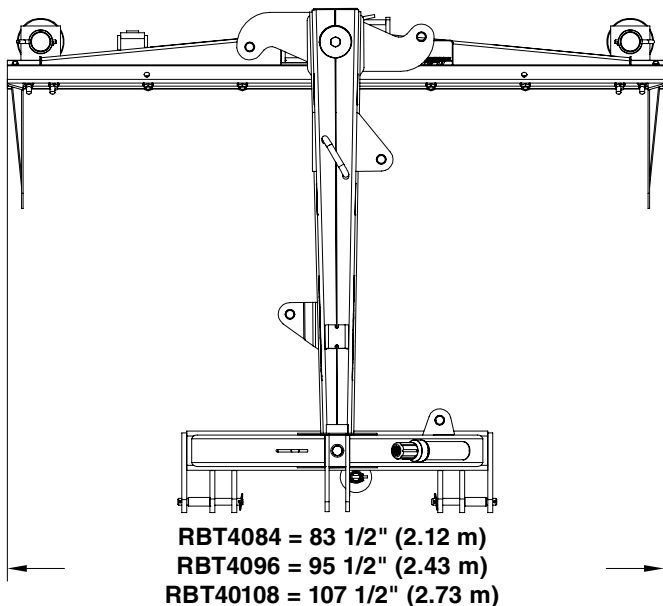
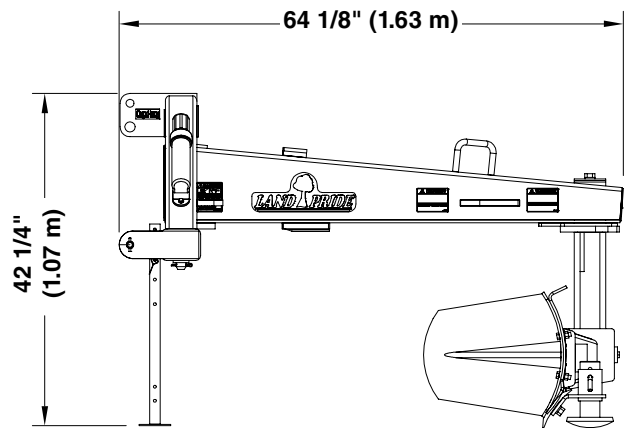


RBT40 Series Rear Blades

		RBT4084	RBT4096	RBT40108
Blade width	inch (mm)	84 (2.13)	96 (2.44)	108 (2.74)
Approximate weight (lbs) w/manual links	lbs (kg)	798 (362)	848 (384.6)	898 (407.3)
Maximum engine horsepower	hp (kW)	100 (74.6)- 2 Wheel drive		
Maximum G.V.W. (lbs)	lbs (kg)	9500 (4309.1)		
Hitch type		Cat. 1 & 2 Fits Land Pride Quick Hitch		
Blade angle	Manual linkage: Hydraulic cylinder:	With blade facing forward or reversed Up to 45° in 15° increments clockwise and counterclockwise in either direction Up to 45° clockwise and counterclockwise in either direction		
Angle cylinder	inch (cm)	3 1/2 X 16 X 1 1/4 (8.9 x 40.6 x 3.2)		
Blade offset	Manual linkage Hydraulic cylinder	Up to 30" left and right in 15 positions (Center, 7 left, and 7 right) Up to 30" left and right		
Offset cylinder	inch (cm)	3 1/2" X 16" X 1 1/4" (8.9 x 40.6 x 3.2)		
Tilt Angle	Manual ratchet jack Hydraulic cylinder	Maximum 15° up and 15° down with blade facing forward or reversed Maximum 15° up and 15° down with blade facing forward or reversed		
Tilt cylinder	inch (cm)	3 X 6 X 1 1/4 (7.6 x 15.2 x 3.2)		
Moldboard height	inch (cm)	17 (43.2)		
Moldboard thickness	Inch (mm)	5/16 (8) reinforced, 1/4 (6) tapered reinforcement channel		
Moldboard kingpin	inch (cm)	3 (7.6)		
Cutting edge	inch (cm)	1/2 x 6 (1.3 x 15.2) Heat treated reversible blade		
Main frame		Fully enclosed welded, formed box		
Parking stand		Retractable		
Accessories		Skid shoes, end plates, hydraulic selector valve, and hydraulic cushion valve		



Top View



Side View

26810