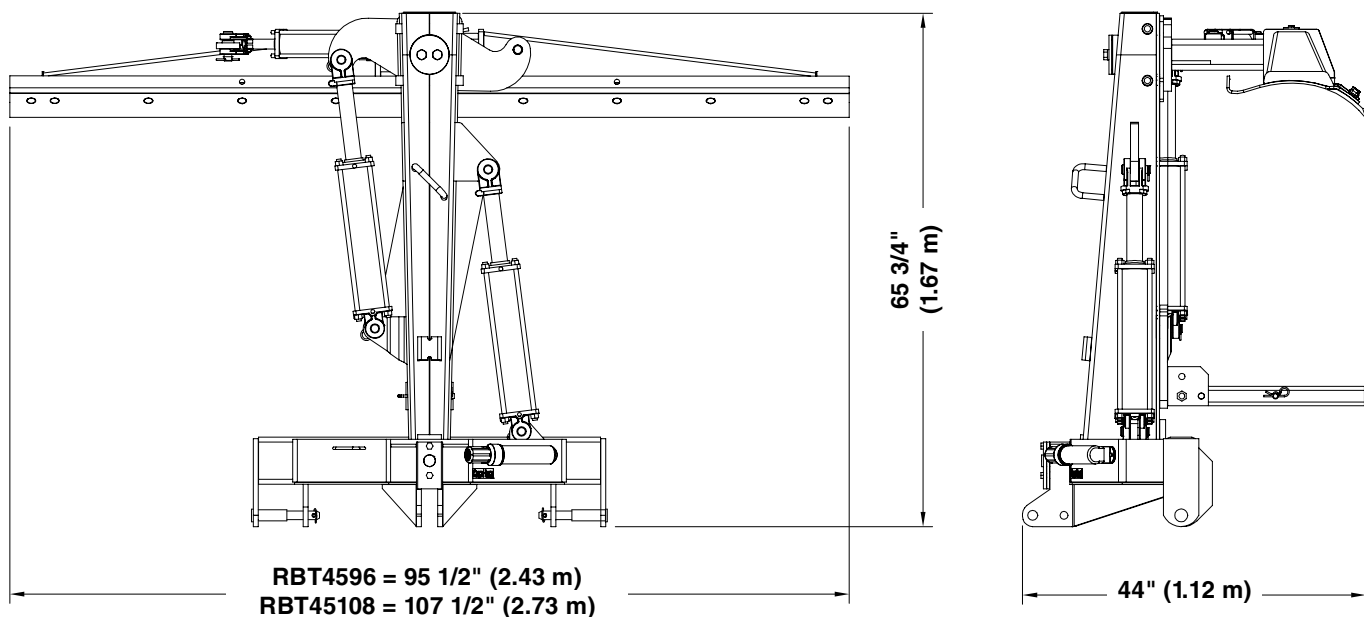


RBT45 Series

		RBT4596	RBT45108
Blade width	inch (m)	96 (2.44)	108 (2.74)
Approximate weight (lbs) with hydraulic links	lbs (kg)	1130 (512.6)	1166 (528.9)
Maximum engine horsepower	hp (kW)	125 (93.2)	
Maximum G.V.W. (lbs)	lbs (kg)	9500 (4309.1)	
Hitch type		Cat. 2 & 3 (Fits Land Pride Quick Hitch)	
Blade angle, hydraulic operated		Up to 45° clockwise and counterclockwise with blade facing forward or reversed	
Angle cylinder	inch (cm)	4 X 16 (10.2 x 40.6)	
Blade offset, hydraulic operated	inch (cm)	Up to 35 inches left and right.	
Offset cylinder	inch (cm)	4 X 16 (10.2 x 40.6)	
Blade tilt, hydraulic operated		Maximum 15° up and 15° down with blade facing forward or reversed	
Tilt cylinder	inch (cm)	3 X 6 (7.6 x 15.2)	
Moldboard height	inch (cm)	19 (48.3)	
Moldboard thickness	inch (mm)	5/16 (8) with 1/4 (6) boxed reinforcement	
Cutting edge	inch (mm)	1/2 x 6 (13 x 152) Heat treated, Replaceable & Reversible (Double bevel)	
Main frame		Fully enclosed welded, formed box	
Parking stand		Retractable	
Accessories		Manual or Hydraulic Single or Dual Gauge Wheel, Skid Shoes, End Plates, Double Selector Valve and Cushion Valve, Manual Angling Link, Manual Offset Link and Manual Tilting Link	



26812