

KUBOTA 4WD DIESEL UTILITY VEHICLE

# RTV X-Series



\*This information is sourced from overseas and may not necessarily apply locally. It is essential that you confirm specifications and other information with your local Kubota dealer.



For Earth, For Life  
Kubota



# RTV X-S

**The Kubota RTV X-Series. All-new performance,  
all-new comfort, all the time.**

## **RTV-X900**

Comfort and versatility make this Kubota's most popular model for all types of jobs. It comes with a powerful 21.6 HP diesel engine, exclusive variable hydro transmission (VHT-X) and standard 4-wheel drive.





When there's work to be done on the far side of nowhere, you need a vehicle that can get you there quickly, get the job done efficiently, and get you back comfortably.

## RTV-X1120D

A step up in power, comfort, convenience, and style, the all-new RTV-X1120D has everything you need to get the job done, including a rugged and dependable 24.8 HP diesel engine and handsome blue-tinted halogen headlights.

Introducing the all-new RTV X-Series from Kubota. Three rugged and reliable utility vehicles with more of the things that you need to get the job done right.

## RTV-X1100C

The first RTV to offer a factory-installed unibody A/C cab, the RTV-X1100C is still the industry leader in luxurious driving comfort. The fully enclosed cab features air conditioning, defroster, and heating systems to keep you comfortable in all types of weather.





# TOUGH

**Kubota diesel engines—dependable power, when and where you need it.**

## **Power when and where you need it**

Even when the trail disappears, you can rely on the RTV X-Series' powerful diesel engines to keep you moving forward. Kubota-built and trail-proven, these 3-cylinder liquid-cooled diesel engines have a well-earned reputation for dependable performance even in the harshest terrains. The RTV-X900 comes with a robust 21.6 HP engine, while the RTV-X1120D and RTV-X1100C provide an extra boost of power from 24.8 HP engines.







# RTV-X900

## VHT-X (Variable Hydraulic Transmission)

Kubota has more experience in variable hydraulic transmissions than any other Utility Vehicle manufacturer. Kubota's advanced VHT-X offers a wide torque band and large oil coolers that boost performance and durability.



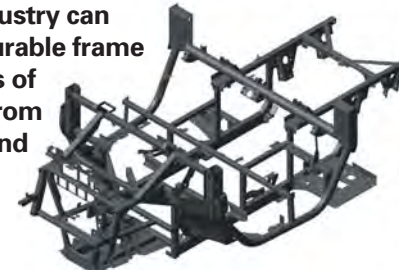
## Two-speed In-line Shift

You'll shift less often and maintain better control, thanks to new transmission gearing with just two forward speeds (high and low), plus neutral, and reverse.



## Strong High-rigidity Frame

The high-rigidity steel frame isolates the occupants from noise, vibrations, and harshness. With structural strength that few in the industry can match, this durable frame can take years of punishment from heavy loads and rough terrain.



## 20% Larger, Clog-resistant Radiator

Open the hood, and you'll find the radiator and air-intake located high and up front, where the air is cleaner and cooler. This improves both radiator performance and simplifies maintenance. Kubota's wide fin pitch design minimizes clogging, further improving radiator performance.









# ALL RIDE

Get in and buckle up. You're about to experience a whole new level of driving performance.

## Front & Rear Independent Suspension



Regardless of the terrain or load, independent suspension on all four wheels ensures a truly exceptional ride. Kubota's Extra Duty IRS (Independent Rear Suspension) technology also sets a new standard for durability.



## Height-adjustable Front and Rear Suspension

Whether you've got a heavy load or no load at all, adjustment of the front and rear suspension height will ensure the proper vehicle height for a smooth ride and optimum driveability.

## High Ground Clearance

The new X-series raises the bar on ground clearance—to a full 263 mm with 205 mm of suspension travel—letting you glide over the bumps rather than through them.

## Limited-Slip Front Differential

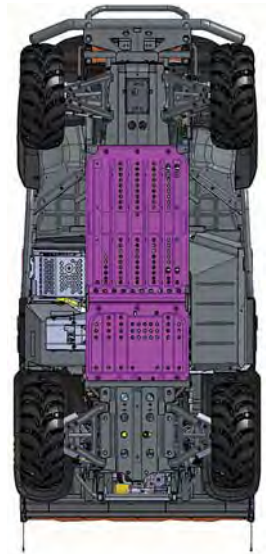
True 4-wheel drive with a limited-slip front differential and a locking rear differential help reduce wheelspin to a minimum, giving you greater control and a smoother ride on rough or muddy terrain.

## Dynamic Braking

You'll feel more secure, especially when traveling down long inclines, knowing that dynamic braking is providing additional braking power and greater driving control.

## CV Joint Protectors and Skid Plates

Obstacles on the trail? CV joint protectors and heavy-duty skid plates will protect the most critical parts of the engine and transmission.





The image shows the interior of a vehicle, likely a utility vehicle or truck. The steering wheel is black with a central emblem. The dashboard is black and features a digital display showing '0' and '20'. There are various controls and buttons on the dashboard and steering wheel. The seats are light-colored. The overall design is functional and practical.

**A whole new experience in driving comfort.**

The experience begins the moment you step into the driver's compartment and settle into the seat. Clearly, the X-Series was designed for driving comfort and convenience. More room for your legs, controls that fall naturally under your hands, plenty of utility storage space...from head to toe and side to side, it's a whole new level of easy, practical driveability that must be experienced to appreciate.





## 60:40 Split-bench Seats

The split-bench style seat is ergonomically designed to provide hours of riding comfort. The driver's side is adjustable fore and aft.\*

*\*Driver's side seat adjuster is not available on RTV-X900 General Purpose models.*



## Power Steering

Responsive hydrostatic power steering gives you the control you need to tame any terrain. The steering wheel is tilt-adjustable, allowing you to set the optimum angle for your driving style.\*

*\*Tilt-feature is not available on RTV-X900 General Purpose models.*



## Digital Meter Cluster

Bright, with large, easy-to-read indicators, this digital meter cluster keeps you informed of all critical driving conditions, including speed, hours, and miles traveled. An Overheat Alarm (light and audio) helps prevent engine damage.



## Easily accessible Parking Brake

The parking brake is conveniently located on the dashboard for easier access as well as more legroom.



## Glove Box\*

A large glove box on the passenger side provides fast access to critical tools and personal effects.

*\*Glove box is not available on RTV-X1100C models.  
\*Glove box cover is optional on RTV-X900 General Purpose models.*



## Under-seat Storage Compartments

Large compartments under the split-bench seats provide plenty of convenient storage space for tools, tie-downs, and personal items.



# CAPABILITIES

The capacity for hauling, the strength for towing.

## Carry up to 0.43 cubic metres of cargo

It's not enough to get you there and back. You need to get your stuff there and back, as well. This heavy-duty steel cargo box can do that for you, carrying up to a half-ton (500 kg) of tools, firewood, gear, supplies...whatever you need to haul from here to there and back again. Cargo tie-down hooks help keep your gear secure.



## Dumping Cargo Box\*

With the flick of a single lever, the hydraulic-lift cargo box rises and your cargo slides out. Cargo that could take significant physical strength and time to unload can now be dumped with little effort in mere seconds.

*\*Manual dumping on RTV-X900 General Purpose model.*



*\*Overseas model shown*





## Towing Capacity

Standard two-inch hitch receivers at the front and back let you tow up to 590 kg of gear.





**Get ready for an all-new level of comfort and performance. Get ready**

Here's the one you've been waiting for. The one with more of everything.

More power, more convenience, more comfort, more style. We call it the RTV-X1120D. You'll call it amazing.

**RTV X1120D**

## More Powerful Engine

For jobs that require extra acceleration and climbing power, the RTV-X1120D is the obvious choice. It packs Kubota's proven 24.8 HP diesel engine, which provides a top speed of 46.4 km/h and plenty of hill-climbing power.



## Sculpted, Blue-tinted Headlights

Bright and far-reaching halogen headlights with adjustable optical axis provide plenty of light for driving in dim-light conditions. Sculpted and tinted blue, these handsome lights add a touch of class to the RTV-X1120D's distinctive styling.





for the RTV-X1120D.



## RTV-X1120D

### Three-point Seatbelts

With the RTV-X1120D's increased speed comes increased dynamic loads; so you and your passenger are strapped in with three-point seatbelts.

### Half Door

Half doors on the driver and passenger sides help keep out the dirt, brush, and other external objects, while letting you enter and exit with ease.



### New Alloy Wheels

You'll travel in style with these good-looking, machine-polished alloy wheels.\* Clear Coating helps keep them bright and shiny.

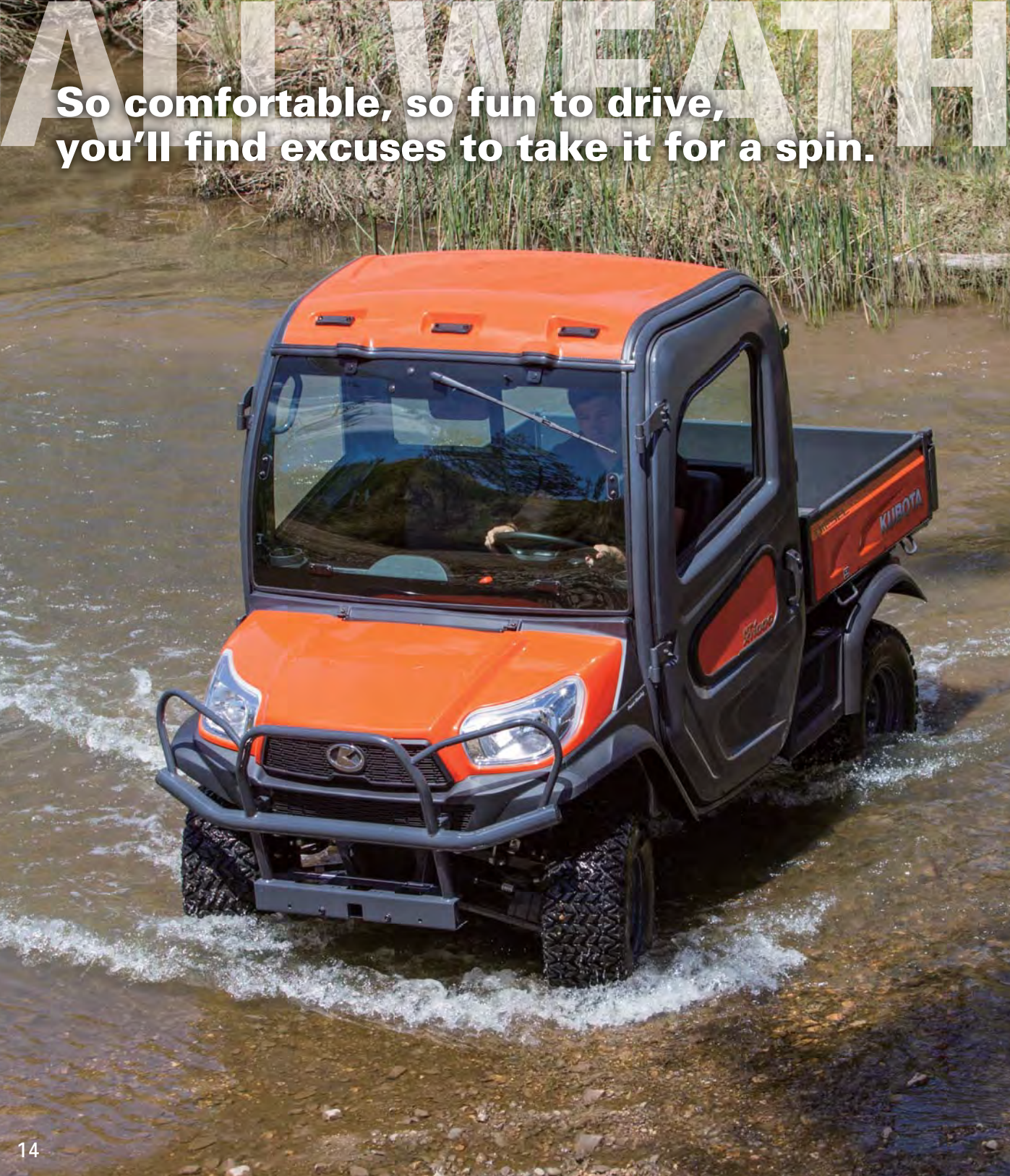
*\*Realtree AP Camo model features black alloy wheels with polished outer surfaces.*





# ALL WEATHER CO

So comfortable, so fun to drive,  
you'll find excuses to take it for a spin.



## Premium Grand Cab

Whether it's hot and humid, cold and windy, or raining cats and dogs, you'll stay dry and comfortable inside the RTV-X1100C's quiet and luxurious air-conditioned and heated cab. Built around a unibody frame that is virtually airtight, soundproof, and rattle-free, the cab incorporates highly efficient air-conditioning, heating, and defogging functions, as well as antennas and speakers for an optional radio. And when the weather is nice? Just roll down the fully opening windows. This truly is the best all-weather, all-comfort, all-the-time driving environment you'll ever experience on the trail.



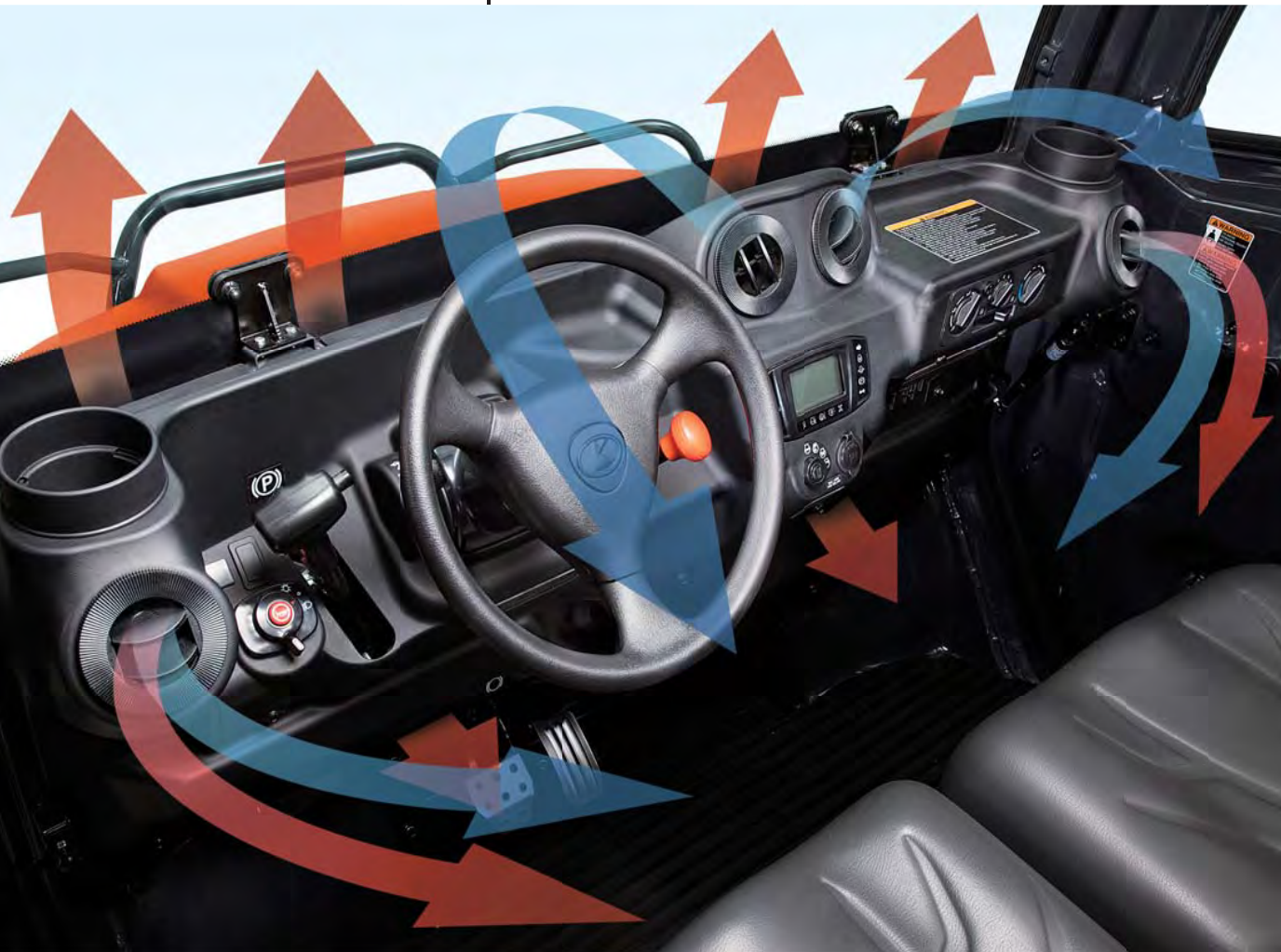


# COMFORT CAB

## RTV-X1100C

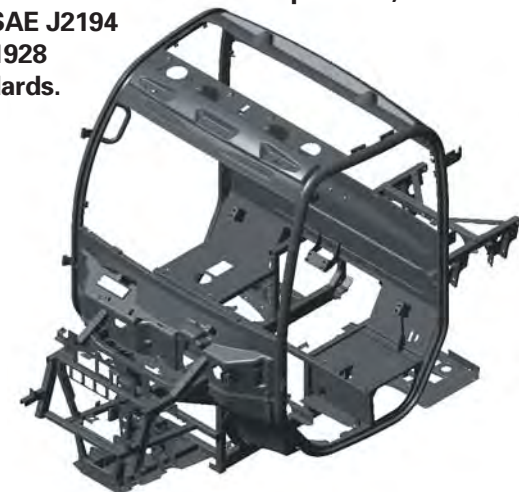
### Air Conditioner and Heater

Hot or cold, rain or shine, the temperature inside can always be just right for you. The air conditioner, defroster, and heater system are powerful, efficient, and standard equipment on the RTV-X1100C.



### Unibody Cab and Chassis Frame

You'll enjoy a smoother, quieter, more comfortable ride, thanks to the RTV-X1100C's integrated unibody cab and chassis frame. They form a rigid yet lightweight unit that is rugged, airtight, low-noise, and rattle-free. Even more impressive, the cab meets SAE J2194 and OSHA 1928 ROPS standards.





# Specifications

Model		RTV-X900 General Purpose	RTV-X900 Worksite	RTV-X 1120D		RTV-X1100C
Body color		Kubota Orange	Kubota Orange	Kubota Orange	Realtree® AP Camo	Kubota Orange
Engine	Make	KUBOTA D902-E4-UV		KUBOTA D1105-E4-UV		
	Type	3-cylinders, 4-cycle, diesel, OHV				
	Displacement cu. in. (cc)	54.3 (898)		68.5 (1123)		
	Horsepower HP (kW)/rpm	21.6 (16.1)@3200		24.8 (18.5)@3000		
	Cooling system	Liquid				
Battery		540 CCA		650 CCA		
Transmission		Variable hydro transmission (VHT-X)				
Gear selection		Hi-Lo range forward, neutral, reverse				
Max. travelling speed mph (km/h)		0-25 (0-40)		0-29 (0-46.4)		0-25 (0-40)
4WD system	Front differential	Limited-slip differential				
	Rear differential	Foot operated differential lock				
Steering		Hydrostatic power				
Brakes	Front / Rear	Wet-disc brakes				
	Parking brake	Rear wheel, hand operated				
Suspension	Front suspension	Independent, Dual A-arms with adjustable spring preload				
	Front suspension travel mm	205				
	Rear suspension	Independent with coil over shock				
	Rear suspension travel mm	205				
Ground clearance	Front mm	266				
	Rear mm	263				
	Under foot platform mm	280				
Headlights		Two 37.5 watt halogen		Two 37.5 watt blue-tint halogen, optical axis adjustment		Two 37.5 watt halogen
Occupant Protective System (OPS)	Tubular overhead structure mm			50.8 steel tube		
	Seat belts	2-point		3-point		2-point
	Certification	SAE J2194 and OSHA 1928 ROPS		SAE J2194 and OSHA 1928 ROPS and ANSI B71.9		SAE J2194 and OSHA 1928 ROPS
Dimensions	Length mm	3055		3110		
	Width mm			1605		1660
	Height, overall mm			2020		2090
	Front tread centers mm			1240		
	Rear tread centers mm			1240		
	Wheelbase mm			2045		
Turning radius m				4.0		
Weight kg		865		895		935
Towing capacity kg				590		935
Payload capacity kg		755		725		685
Cargo bed	Material	Steel				
	Width Length Depth mm			1465 1030 285		
	Volume m³	0.43				
	Bed height (unloaded) mm	887				
	Cargo bed load kg	500				
Dumping system		Manual		Hydro power lift		
Fuel tank capacity ℓ		30				
Sound rating at operator's ear at max rpm dB. (A)		85		84		83
Tyres	ATV	25 10-12, 6-ply				
	HDWS	25 10-12, 6-ply				
	TURF	25 12-12, 4-ply				
Front guard design		Simple, center only		Center and bumper		Centre, bumper and lens
Alloy wheel		Opt.		Std.		Opt.
Hydraulic bed lift		Opt.		Std.		

The company reserves the right to change the above specifications without notice. This brochure is for descriptive purposes only. Please contact your local Kubota dealer for warranty and safety information. The values in "Ground clearance" and "Weight" are those of the machine equipped with the tires in the table above. Some RTVs in this brochure are shown with optional accessories. For off-highway use only.

## KUBOTA Tractor Australia Pty Ltd

25-29 Permas Way, TRUGANINA Vic, 3029  
 Freecall: 1800 334 653  
 Email: sales@kubota.com.au

Web Site: <http://www.kubota.com.au>

## CB Norwood Distributors Ltd

PO Box 1265, 888 Tremaine Avenue,  
 Palmerston North 0800 KUBOTA  
 Tel: 06 356 4920 Fax: 06 356 4939

Web Site: <http://www.kubota.co.nz>