

GIANT ATTACHMENTS

Here is a part of our wide range of attachments. The complete range of attachments can be found in the folder "attachments" or on our website.



WWW.GIANT-ATTACHMENTS.COM

Pictures may differ from actual product.

WHEEL LOADERS

GIANT wheel loaders are totally designed and produced in own management in Oisterwijk (the Netherlands). In 2009 TOBROCO Machines started with the development for new models for the existing range. These new models will replace the existing ones. For development TOBROCO Machines is using a sophisticated 3-dimensional design program. This way a machine is already tested on performance before it got in production. During the development of the new models TOBROCO takes care of the demands and needs of her customers. The models are upgraded in especially looks and comfort. When you compare performance and technical data the new models are at least equal or are upgraded. Also TOBROCO Machines offers you a very big variety of implements. The majority of these implements is designed and produced by TOBROCO Machines, and because of this, the implements are optimal adapted for your GIANT, which is more efficiently this way. Starting January 2010 TOBROCO Machines will have a new production plant of ± 10.000 m². On demand you can visit this factory. TOBROCO Machines also has her own transport and service facilities for the Benelux. On customers request we can provide our transport and service.



GIANT made in Holland



TOBROCO

Industrielaan 2
5061 KC Oisterwijk
Tel.: +31 (0)13-5211212
Fax: +31 (0)13-5234045
Internet: www.tobroco.com
E-mail: info@tobroco.com



GIANT

Team **TOBROCO**
Industrielaan 2, 5061 KC Oisterwijk
Tel.: +31 (0)13-5211212
Fax: +31 (0)13-5234045
Internet: www.tobroco.com
E-Mail: info@tobroco.com

V362
V452T
V452T HD
V452T X-TRA
V452T X-TRA HD



WHEEL LOADERS

A flexible and comfortable jack of all trades



V362 - V452T - V452T HD - V452T X-TRA - V452T X-TRA HD

All technical data in this brochure refer to series models that have been tested under operating conditions typical of Central Europe and describe their standard functions. Specifications and their modes of functionality as well as accessories listed in this brochure depend on the individual model and on the options available with a particular product as well as the statutory requirements of the country of sale. Illustrations used in this brochure may show products that have not been mentioned or that are not available as series production machines. The descriptions, illustrations, weights and technical data published herein are non-binding in nature and represent the technical status at the time the document went to press. Because of ongoing development, we reserve the right to make changes, without prior notice, to the design, specification, visual appearance and technology of our products. Should you require special functions that would be available only by using additional components and/or under special circumstances, please feel free to contact us. We will be happy to answer any questions you may have and to provide further information regarding whether and under what conditions applying to the product and the target environment such special functions might be feasible. If you have any concerns about the load capacity or operation of our products in certain working conditions or environments, we recommend that you perform a test run under controlled conditions. Despite meticulous attention to detail, we cannot exclude the possibility that our products may not conform to illustrations or stated dimensions, or that errors may have occurred in calculation or during printing, or that the information given here may be incomplete. Consequently, we do not accept liability for the accuracy or completeness of the information supplied in this brochure. All matters relating to our product warranty are contained within our General Terms and Conditions. We expressly decline to provide additional guarantees. Any liability over and above that contained within our General Terms and Conditions is excluded.

P001300211 D-SERIES EN V214

WHEEL LOADERS

To full fill the needs and demands of her customers TOBROCO offers a wide range of wheel loaders. This range consists out of 25 different types of loaders with a service weight between 1000 kg and 4150 kg. In this leaflet, we will show you the range of GIANT with a service weight of 2350 kg to 2770 kg. These loaders are powered by a 36 hp Kubota engine or a 45 hp Kubota turbo engine. For further information about other types and implements we refer to our other leaflets or our website (www.tobroco.com).



● V362

The GIANT V362 is with its 36 hp Kubota engine, the lightest loader in this range. This loader has regular axles (no planetary), one gear and speed up to 18 km/h. Because the motor cover can top-ple over, the new models are even better accessible for maintenance and service. These models are very suitable if you work on a flat surface and have to transport a load within a small area. These loaders are used very much on horse nurseries.

● V452T & V452T X-TRA

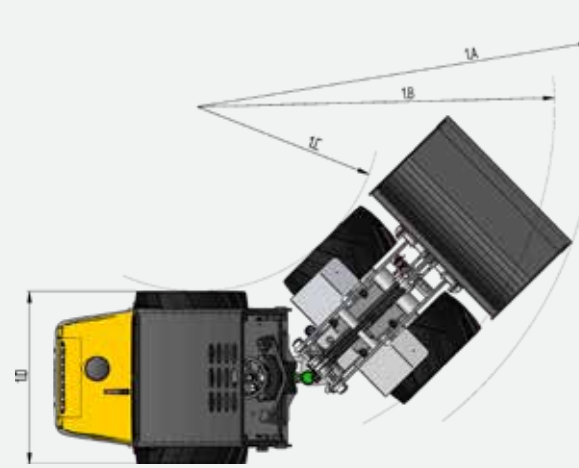
The GIANT V452T and the GIANT V452T X-TRA are our smallest wheel loaders with two gears and heavy planetary axles with automatic differential lock in our assortment. The loaders are powered with a 45 hp Kubota turbo engine. Also the well known "X-TRA" versions are available in this new design. Because of the lower front frame these GIANT's have a higher tipping load, even through the machine is very light and complete. Like the previous models of these types, they are optional also available with 3 point lifting mechanism (cat.1) including a 4th function mechanical and PTO.

TECHNICAL DATA



● V452T HD & V452T X-TRA HD

Because of the demands of our customers for a GIANT with a higher driving speed, TOBROCO Machines has developed the GIANT V452T HD and the GIANT V452T X-TRA HD. The heavy transmission (Heavy Duty, 12 tons axles) has the advantage of high speed (up to 28 km/h) and at the same time higher performances. Because of the higher service weight the HD models will give higher tipping loads than the normal GIANT V452T and the GIANT V452T X-TRA.



	V362	V452T	V452T HD	V452T X-TRA	V452T X-TRA HD
Engine	4 cyl. Kubota 36 hp / 26 kW	4 cyl. Kubota turbo 45 hp / 33 kW	4 cyl. Kubota turbo 45 hp / 33 kW	4 cyl. Kubota turbo 45 hp / 33 kW	4 cyl. Kubota turbo 45 hp / 33 kW
Service weight	2350 kg	2400 kg	2770 kg	2400 kg	2770 kg
Driving hyd.	Hydrostatic automotive	Hydrostatic automotive	Hydrostatic automotive	Hydrostatic automotive	Hydrostatic automotive
Driving speed	0-18 km/h	0-10 km/h - 0-20 km/h	0-10 km/h - 0-28 km/h	0-10 km/h - 0-20 km/h	0-10 km/h 0-28 km/h
Driving mech.	Standard Axles	Planetary end drive	Heavy duty Planetary end drive	Planetary end drive	Heavy duty Planetary end drive
Differential lock	Automatic on both axles	Automatic on both axles	Elec. 100% on both axles	Automatic on both axles	Elec. 100% on both axles
Standard tyres	10.0/75-15.3 AS	11.5/80-15.3 AS	11.5/80-15.3 AS	11.5/80-15.3 AS	11.5/80-15.3 AS
Service brake	Hydraulic	Hydraulic	Hydraulic	Hydraulic	Hydraulic
Parking brake	Drumbrake	Drumbrake	Drumbrake	Drumbrake	Drumbrake
Quick linkage	GIANT Standard Hydraulic	GIANT Standard Hydraulic	GIANT Standard Hydraulic	GIANT Standard Hydraulic	GIANT Standard Hydraulic
Driving hydraulics	102 L/min (360 bar)	84 L/min (380 bar)	84 L/min (440 bar)	84 L/min (380 bar)	84 L/min (440 bar)
Working hydraulics	45 L/min (180 bar)	51 L/min (190 bar)	51 L/min (190 bar)	51 L/min (190 bar)	51 L/min (190 bar)
Lifting capacity	1750 kg	1750 kg	1800 kg	2200 kg	2250 kg
Tipping load straight	2000 kg	2050 kg	2200 kg	2600 kg	2800 kg

	V362	V452T	V452T HD	V452T X-TRA	V452T X-TRA HD
A Wheel base	1643	1643	1643	1695	1695
B Total length without bucket	3247	3247	3247	3316	3316
C Total length with bucket	4015	4015	4015	4085	4085
D Length 3-point lifting arm (option)	540	540	540	540	540
E Min height 3 point hitch	253	253	253	253	253
F Max. height 3 point hitch	652	652	652	652	652
G Seat height	1296	1341	1341	1341	1341
H Max. height with ROPS/FOPS safetyroof	2277	2322	2322	2322	2322
Max. height with cabin	2300	2345	2345	2345	2345
Max. Foldable roof (up)	1900	1945	1945	1945	1945
Max. Foldable roof (down)	2365	2410	2410	2410	2410
I Height frontframe	1686	1731	1731	1492	1492
J Max. dump bucket	2099	2144	2144	1735	1735
K Max. bucket pin height	2919	2964	2964	2498	2498
Max. bucket pin height extended lift arm	3057	3102	3102	--	--
L Height with bucket	3487	3532	3532	3070	3070
M Roll back angle ground level	43°	43°	43°	42°	42°
N Roll back angle	45°	45°	45°	47°	47°
O Max. dump angle	43°	43°	43°	37°	37°
P Max. drive angle	27°	30°	30°	30°	30°
Q Diameter standaard tyre	Ø760	Ø850	Ø850	Ø850	Ø850
1A Maximum radius	2972	2972	2972	3045	3045
1B Outer turning radius	2560	2560	2560	2623	2623
1C Inner turning radius	1460	1460	1460	1523	1523
1D Width	Vanaf 1070	Vanaf 1100	Vanaf 1100	Vanaf 1100	Vanaf 1100

Sizes in mm.

	V362	V452T	V452T HD	V452T X-TRA	V452T X-TRA HD
S	2000 kg	2050 kg	2200 kg	2600 kg	2700 kg
T	1550 kg	1580 kg	1620 kg	1850 kg	2000 kg
U	1050 kg	1100 kg	1200 kg	1320 kg	1400 kg
U (extended lift arm)	950 kg	1000 kg	1100 kg	1150 kg	1250 kg
V	800 kg	850 kg	900 kg	1050 kg	1000 kg
W	2400 kg	2525 kg	2650 kg	2700 kg	2800 kg
X	1550 kg	1600 kg	1700 kg	1700 kg	1800 kg
Y	1100 kg	1150 kg	1250 kg	1250 kg	1380 kg

Tippingload in straight position, without extra counterweights.